



***motoalliance***



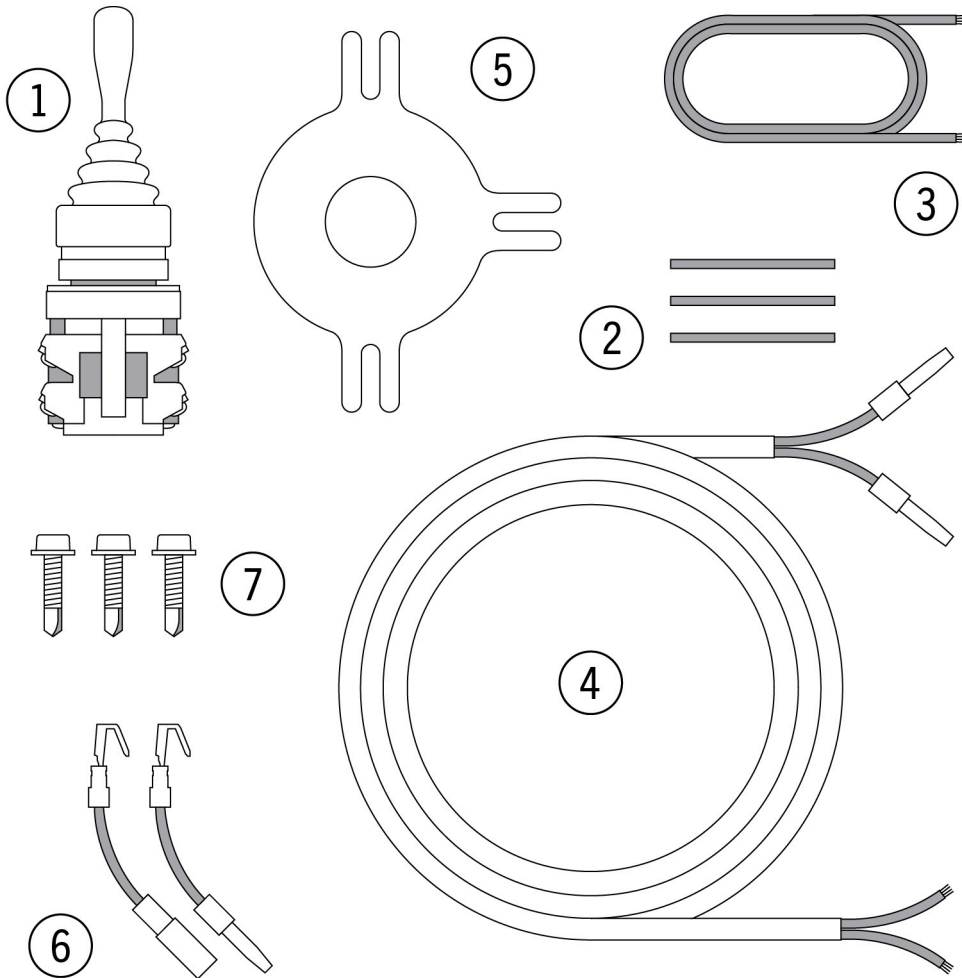
**DENALI**  
**PLOWS**

**DENALI Plow Joystick**  
**MA11209**

INSTALLATION INSTRUCTIONS

Thank you for purchasing a DENALI Plow Joystick.  
 You now own a fully-configurable kit that lets you raise, lower, and turn your plow side-to-side with a single control stick. **Please note the following instructions. This kit requires a winch and DENALI Hydroturn System already installed.**

## PARTS LIST



Please verify that all hardware and parts are included in your package.

Part#	Qty	Item Description
1	1	Joystick
2	3	1.5" Red Wire
3	1	36" Red Wire (for Keyed Power)
4	2	Output Wire Harness
5	1	MA11209-1 Bracket
6	2	Bullet to Spade Converter Kit
7	3	Self-tapping Plastic Screw

## SUGGESTED MOUNTING OPTIONS

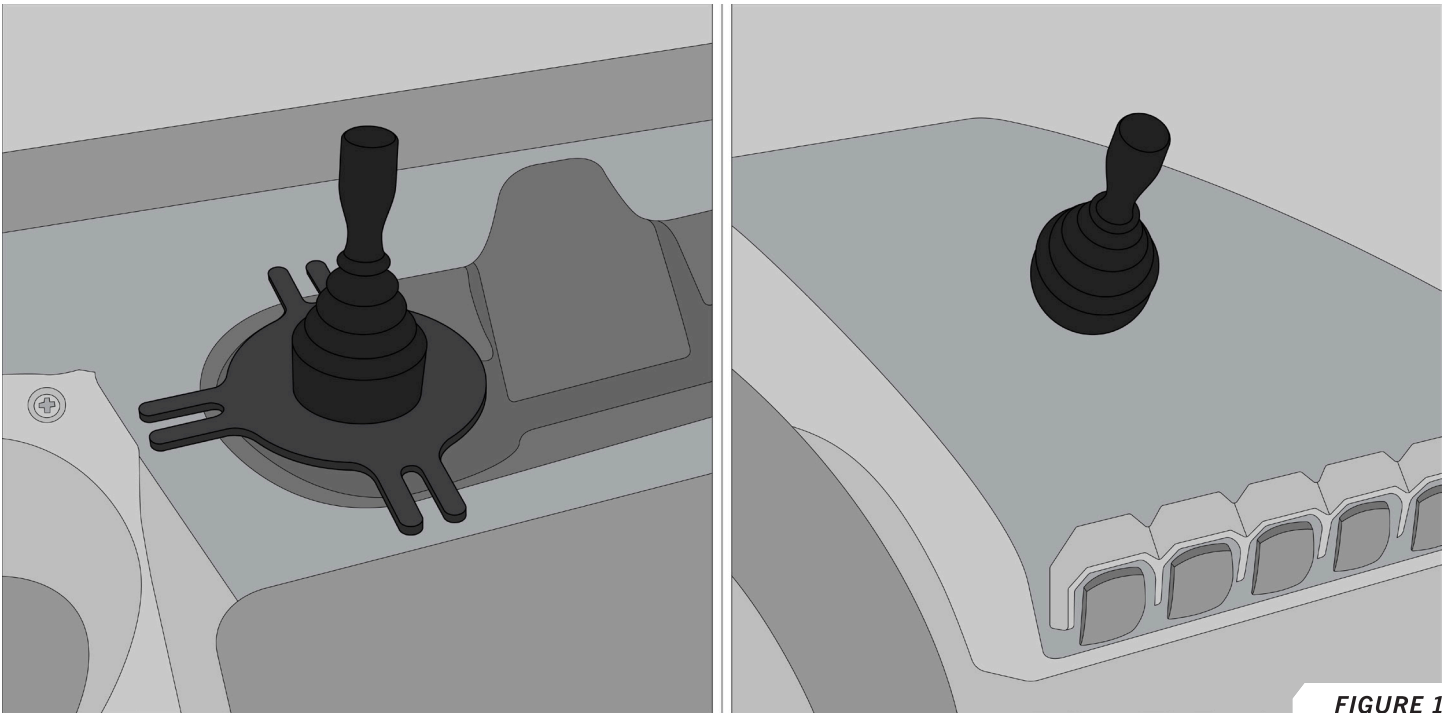



FIGURE 1

### Provided Cupholder Bracket

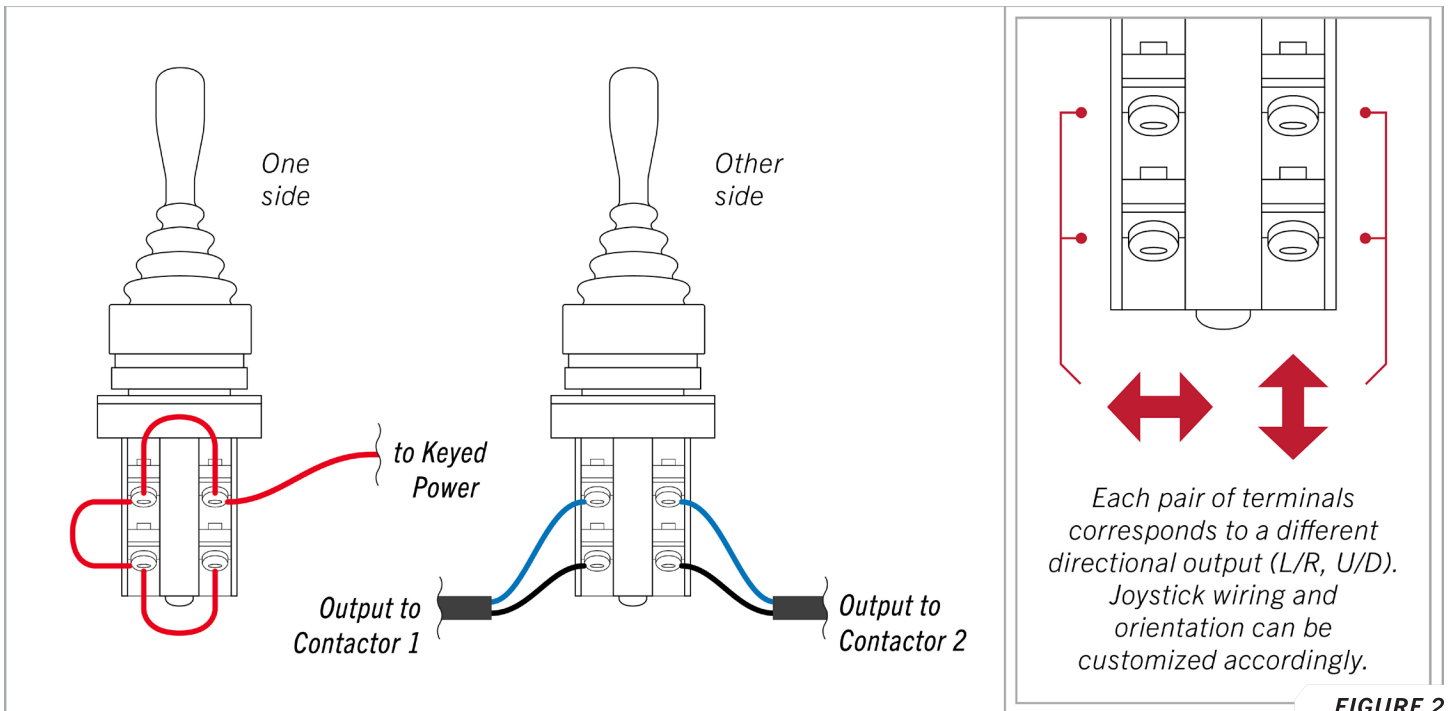
1. Unscrew the upper rubber cover on the joystick.
2. Place a rubber gasket on either side of the bracket and screw the upper rubber cover back on to sandwich between bracket.
3. Secure the bracket using the 3 self-tapping screws.

### Dash Mounting

1. Cut a hole in the dash panel  $1\frac{3}{16}$ " or 30mm in diameter.
2. Unscrew the upper rubber cover.
3. Place a rubber gasket on either side of the dash panel and screw the upper rubber cover back on to sandwich between dash section.

 Verify nothing is behind the drilling area before making the cut.

## WIRING



4. Strip all supplied wires.
5. Wire the long red keyed power wire and the 3 short red wires on one side. Jumper the short wires so all terminals are connected.
6. Wire each output harness to the other side of the switch. These will go to the individual contactors for your DENALI Hydroturn System and winch.

Enjoy improved control of your DENALI Plow!

## FURTHER ASSISTANCE

Scan the QR code to get more tech help, watch troubleshooting videos, or submit a help form on [motoalliance.com](http://motoalliance.com)

